

ELECTRONIC DISPLAYS INC.

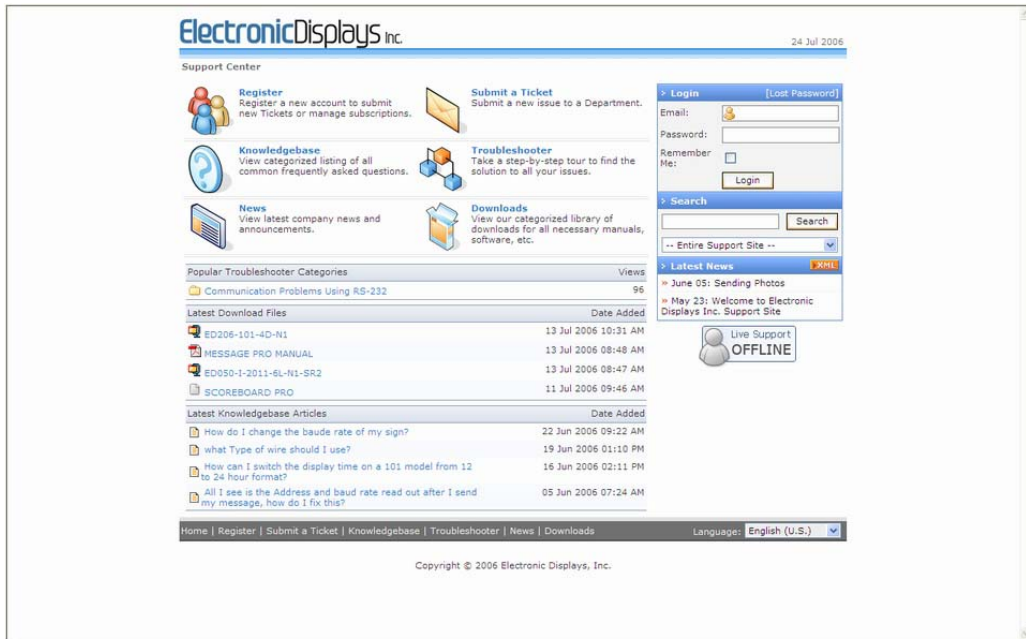
135 S. CHURCH STREET
ADDISON, ILL. 60101

www.electronicdisplays.com



NUMERIC PRODUCTS MANUAL

Thank you for purchasing and *Electronic Displays Inc.* numeric model. If for any reason you need technical support please visit our support site <http://edisupport.helpserve.com/>.



EDI Specialists in large digit
technology and applications

(630) 628-0658
(800) 367-6056

Electronic Displays, Inc.

Thank you for purchasing this high-quality EDI product. We value your business.

This document covers what you need to know to install and use the display. If, after a careful reading, you feel you need assistance, please contact our technical staff at support@electronicdisplays.com or 1-800-367-6056.

If you would like a full catalog of our counters, timers, message marquees, industrial scoreboards, or any of our other products, please contact EDI customer service.

Made Proudly in the USA

Unpacking

Open the box carefully to avoid cutting or scratching the unit.

Mounting

These displays are available in a variety of enclosures, or without any enclosure.

NEMA 1 and NEMA 12 enclosures

There are two ¼–20 Rivnuts on the top of the unit, with 1¾" bolts already installed. To avoid damaging the Rivnuts, don't tighten the bolts beyond 20 foot-pounds.

We do not recommend drilling other mounting holes. You are likely to damage the circuit board.

NEMA 4 and NEMA 4X enclosures

The display is designed to hang from a ceiling or mount to a wall using the two 5/16" holes at the top of the brackets.

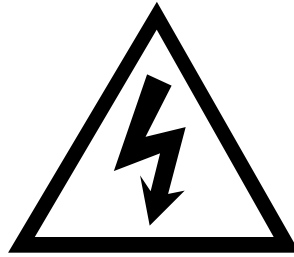
panel mount

These models are bolted to an oversized plastic filter. You can drill holes in the filter to fit your mounting needs. The standard filter is acrylic (Plexiglas). A Lexan™ filter is optional.

Power Supply

The display operates on 60Hz, 120V AC. (Models operating at 12V and 24V AC, 12V DC, and 50Hz, 220V are available.) It is equipped with an 18-gauge, three-wire cord, which should be connected to a properly grounded receptacle. Do not try to defeat the grounding.

Warning — Shock Hazard



Line voltage (120V AC) is present inside the unit. Completely disconnect power before opening. Do not operate the unit unless the covers are in place and screwed down.

Service

This display has no user-serviceable parts. The cover can be cleaned using a mild glass-cleaning solution and a soft cloth.

Warranty

Our standard warranty is one year, parts and labor, when the product is returned shipping charges-prepaid to Electronic Displays for repair.

Please contact our service department *before* returning the unit, so we can confirm whether service is required.

Electronic Displays repair department
Unit A
135 South Church Street
Addison, IL 60101

(630) 458-9611 [voice]
(630) 628-0936 [FAX]
support@electronicdisplays.com

Options

Options can be ordered to customize a display for specific needs. Options are indicated by suffixes to the basic model number.

The following options are “standard” — they are available on *all* models.

OPTION	DESCRIPTION
12AC	The display is powered by a user-supplied source of 10V to 12V AC.
6D	The display is six-digit. (Standard is four.)
DF	Two displays are mounted back-to-back.
GR	The display uses indoor green LEDs. (Standard is red.)
HZ	The display operates on 220V 50Hz. (Standard is 120V 60Hz.)
LX	The display face filter is Lexan™. (Standard is acrylic.)
N12	The display is mounted in a NEMA 12 rated extrusion.
N4	The display is mounted in a NEMA 4 rated cabinet.
N4X	The display is mounted in a NEMA 4 rated stainless-steel cabinet.
PM	The display is mounted to the face filter. There is no cabinet.
PMNF	The display has neither a face filter nor a cabinet.
YL	The display uses indoor yellow LEDs. (Standard is red.)

Some options are “specific” — they are available, or not available, on specific models. The following options are available *only* on the listed models.

OPTION	DESCRIPTION	available models
AO	The display includes an audible output that sounds for three seconds when a set point is reached.	103, 104, 105, 110
DP1	The display can include a floating decimal point. Its position is set when the user recalibrates the display.	111, 117

KY	A 16-key keypad is mounted on the rear of the cabinet. This option not available on cabinetless models.	103, 104, 105, 110, 111, 115, 117
KYN1	A 16-key keypad is mounted on a NEMA 1 rated box and connected to the display, either hard-wired or with a 10' cable and a 25-pin sub-D connector.	103, 104, 105, 110, 111, 115, 117
KYN12	A 16-key keypad is mounted on a NEMA 12 rated box and connected to the display with a 10' cable and a 25-pin sub-D connector.	103, 104, 105, 110, 111, 115, 117
NAD	The display has a "non-addressable" protocol, which is identical to the standard protocol except for deletion of the two-digit address.	111, 117
P1	A SPST push-button switch is mounted on the end plate, to be wired as the user desires.	102, 103, 104, 109
RC1	A NEMA 1 rated remote-control box is provided with push-button switches and/or thumb-wheel switches, hard-wired to the display.	102, 103, 104, 109
RC2	A NEMA 12 rated remote-control box is provided with push-button switches and/or thumb-wheel switches, hard-wired to the display.	102, 103, 104, 109
RL	A relay mounted in the display closes at setpoint.	103, 104, 110
XF1	A 120V to 12V AC step-down transformer is supplied for the Run / Hold or Count input.	102, 103, 104, 109, 110, 115
XF2	A 120V to 12V AC step-down transformer is supplied for the Reset or Preset input.	102, 103, 104, 109, 110
XF3	Two 120V to 12V AC step-down transformers are supplied for the Run / Hold or Count input and Reset or Preset input.	102, 103, 104, 109, 110

The following options are available on all models *except* those listed.

OPTION	DESCRIPTION	excluded models
12DC	The display is powered by a customer-supplied source of 10V to 12V DC. This option is not available on models that use the AC line frequency as a timebase, or do not have an internal timebase.	101
24DC	The display is powered by a customer-supplied source of 24V to 28V DC. This option is not available on models that use the AC line frequency as a timebase, or do not have an internal timebase.	101
5D	The display has five digits. This option is not available for clock displays.	101, 102, 103, 104, 106, 113
7D	The display has seven digits. Not available for clock displays.	101, 102, 103, 104, 106, 113
8D	The display has eight digits. Not available for clock displays.	101, 102, 103, 104, 106, 113
BT	Display values and user-alterable parameters are retained in battery-backed memory and restored after power loss.	105, 112, 114
DP2	A fixed decimal point is displayed at a position specified when the display is ordered. Not available for clock displays.	102, 103, 104, 106, 113
SD1	A 25-pin female sub-D connector is mounted on the end of the display for the detachable keypad.	102, 109, 111, 112, 114, 117
SD2	A 9-pin female sub-D connector is mounted on the end of the display for the detachable keypad.	102, 109, 111, 112, 114, 117
SR1	The serial data interface is RS-232.	105, 112, 114
SR2	The serial data interface is RS-422/485.	105, 112, 114

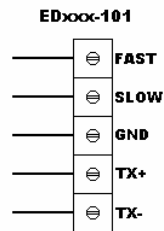
Clocks

General Information

Clocks use the line frequency for their timebase. The 50/60 Hz setting is internal and hard-wired. It cannot be changed. An optional internal timebase is available for DC operation.

model 101 stand-alone clock / primary time display

The *101* is a primary clock. It can control the *113* secondary display using the TX+ and TX- connections on the internal terminal strip.



The four-digit models display time in HH:MM format. The six-digit model displays time in HH:MM:SS format.

The default display is 12 hours. (There is no AM/PM indication.) To switch the display to 24-hour, remove the plug from the back panel. Using chain-nose or needle-nose pliers, remove the wire jumper on the 8-pin DIP socket.

When the display is plugged in, the clock reads the time from an internal battery-operated clock chip and sets the display. Whenever the display is updated or reset, the internal clock chip is set to the same time.

The clock battery is a primary lithium cell soldered to the PC board. It should last several years under normal use. The display should be returned to Electronic Displays for battery replacement.

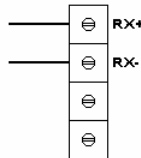
Two momentary push-button switches on the right side set Hours and Minutes. Holding down either switch advances the setting rapidly. Seconds are set to “zero” at the moment you release the Minutes switch.

User-supplied switches can be wired to the internal terminal strip for remote setting.

model 113 secondary display for Perfect Time system and Masterless Master-Time system

The 113 models are four- or six-digit secondary displays controlled by the 101 primary display over an RS-422/485 interface.

RS-422 / 485 Data Input



A multi-drop daisy-chain RS-422/485 interface permits up to 30 displays to be controlled by a single primary clock. The maximum length of the cabling (which must be suitable for an RS-422/485 connection) is 1000'.

If there is no data input when the unit is plugged in, it reads the time from an internal battery-operated clock chip and sets the display. The clock chip is updated when the primary display sends the correct time.

The clock battery is a primary lithium cell soldered to the PC board. It should last several years under normal use. The display should be returned to Electronic Displays for battery replacement.

The display is updated once per second. If five seconds pass without data input, the unit adds five seconds to the internal clock chip's time and starts counting on its own, using the clock chip's timebase. There is no visual indication that the data signal has been lost.

Timers

General Information

Timers use the line frequency for their timebase. The 50/60 Hz setting is hard-wired. It cannot be changed. An optional internal clock is available, permitting DC operation.

When timers are first turned on, they execute a self-test that displays all ten digits in all four positions. They then display — — — X, where X is a digit indicating the baud rate for devices having a serial interface doesn't show it. For timers with a serial interface, the default rate is 1200 baud.

model 102

up-timer with run / hold / reset

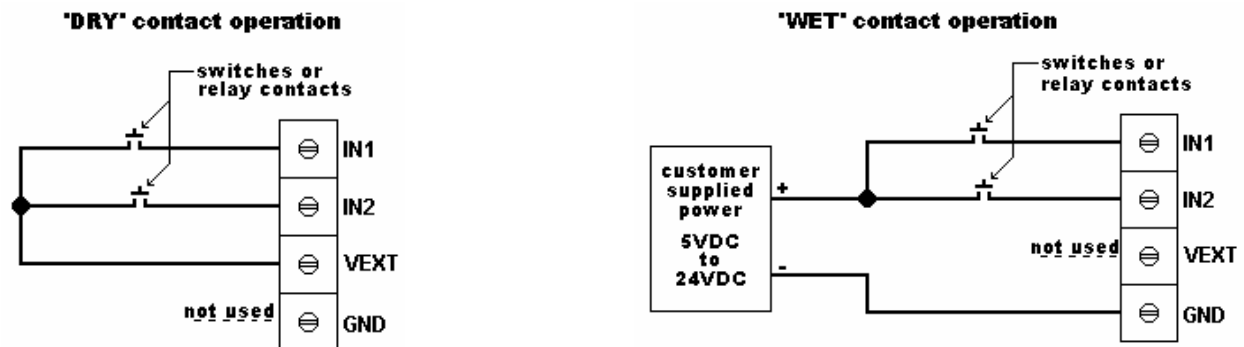
The four-digit displays count minutes and seconds (MM:SS) or hours and minutes (HH:MM). The six-digit display counts hours, minutes, and seconds (HH:MM:SS).

The four-digit displays count up to 99:59, then roll over to zero and continue to count. The six-digit display counts up to 99:59:59, then rolls over to zero and continues to count.

User-supplied momentary-contact switches must be connected to the internal terminal strip for Run / Hold and Reset.

Counting begins (or continues) when the input 1 switch is closed. (It can remain closed, but doesn't have to.) The timer pauses (holds) when the switch is briefly closed a second time. Closing the input 2 switch resets the counter to zero.

The switches can be powered by the Vext supplied by the unit (dry contact), or external DC of 5 to 24 volts (wet contact), as shown below.



model 103

down-timer with preset, run / hold

The four-digit displays count minutes and seconds (MM:SS) or hours and minutes (HH:MM). The six-digit display counts hours, minutes, and seconds (HH:MM:SS).

When counting down, all the timers stop at zero minutes and zero seconds. During a down-count, if the preset number of seconds is greater than 61, the timer immediately jumps to 59 seconds when it starts to run.

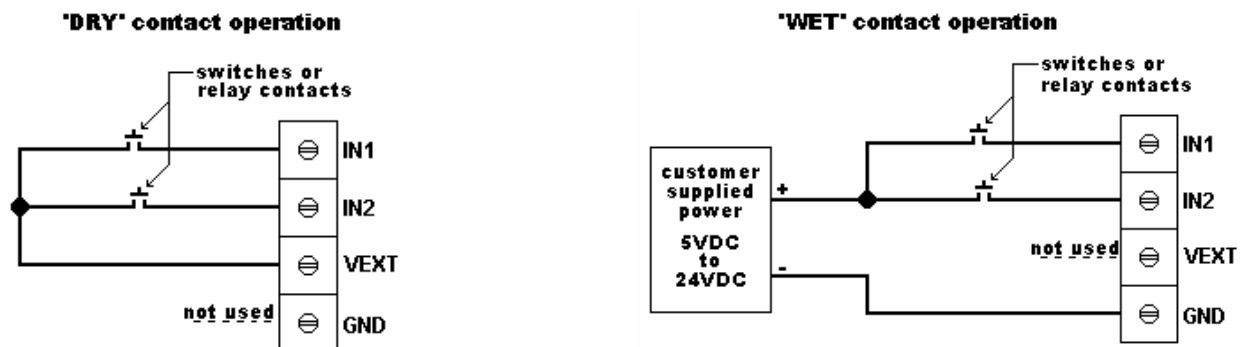
The preset time is selected using the four thumbwheel switches on the right side. On the six-digit model, the seconds preset is fixed at 00.

When plugged in, the display is automatically set to the switch values. The Preset switch resets the display to the current switch values, even if the timer is running, and

the timer continues to run.

As shipped, the Preset switch is installed and wired to the internal terminal strip using the dry connections. Run / Hold requires a user-supplied locking or toggle switch. The timer runs when this switch is closed, and holds (pauses) when the switch is open.

The switches can be powered by the Vext supplied by the unit (dry contact), or external DC of 5 to 24 volts (wet contact), as shown below.



model 104 up / down timer with preset, direction, run / hold

The four-digit displays count minutes and seconds (MM:SS) or hours and minutes (HH:MM). The six-digit displays counts hours, minutes, and seconds (HH:MM:SS).

The four-digit displays count up to 99:59, then roll over to 00:00 and continue to count. The six-digit display counts up to 99:59:59, then rolls over to 00:00:00 and continues to count.

When counting down, all the timers stop at zero minutes and zero seconds. During a down-count, if the preset number of seconds is greater than 61, the timer immediately jumps to 59 seconds when it starts running.

The preset time is selected using the four thumbwheel switches on the right side. On the six-digit model, the seconds preset is fixed at 00.

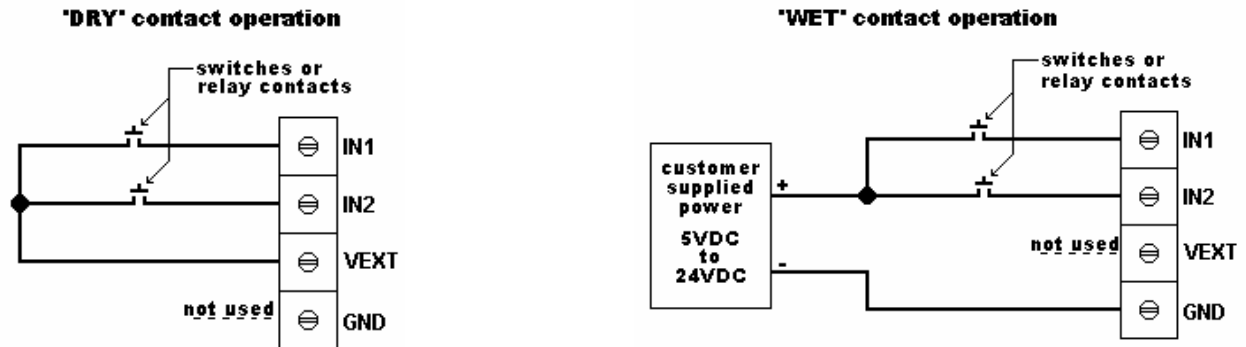
When plugged in, the display is automatically set to the switch values. The Preset switch resets the display to the current switch values, even if the timer is running, and the timer continues to run.

The Direction switch reverses the timer's current direction, and the timer continues to run. When plugged in, the timer's default direction is up.

As shipped, the Direction and Preset switches are installed and wired to the internal terminal strip using the dry connections. Run / Hold requires a user-supplied locking or toggle switch. The timer runs when this switch is closed, and holds (pauses) when the

switch is open.

The switches can be powered by the Vext supplied by the unit (dry contact), or external DC of 5 to 24 volts (wet contact), as shown below.



Counters

General Information

When counters are first turned on, they execute a self-test that displays all ten digits in all four positions. They then display — — X, where X is a digit indicating the baud rate. For counters with a serial interface, the default rate is 1200 baud.

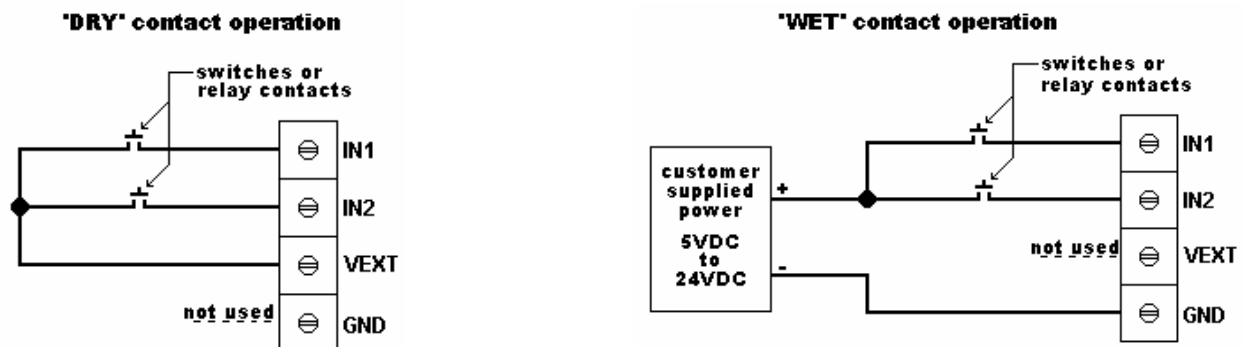
model 109 up counter with reset

When plugged in, the counter displays 0000. When the count reaches 9999, it rolls over to 0000 and continues.

Counting requires a user-supplied momentary-action switch connected to input 1 on the internal terminal strip. The counter increments when this switch is closed, then opened. Holding it closed *does not* produce a continuous increment.

A user-supplied momentary-action switch connected to input 2 on the internal terminal strip resets the counter. The counter resets when the switch is closed.

The switches can be powered by the Vext supplied by the unit (dry contact), or external DC of 5 to 24 volts (wet contact), as shown below.



model 110 up/down counter with preset, direction, count

The preset is selected using the four thumbwheel switches on the right side. When plugged in, the display is automatically set to the switch settings. The Preset switch resets the display to the current switch settings.

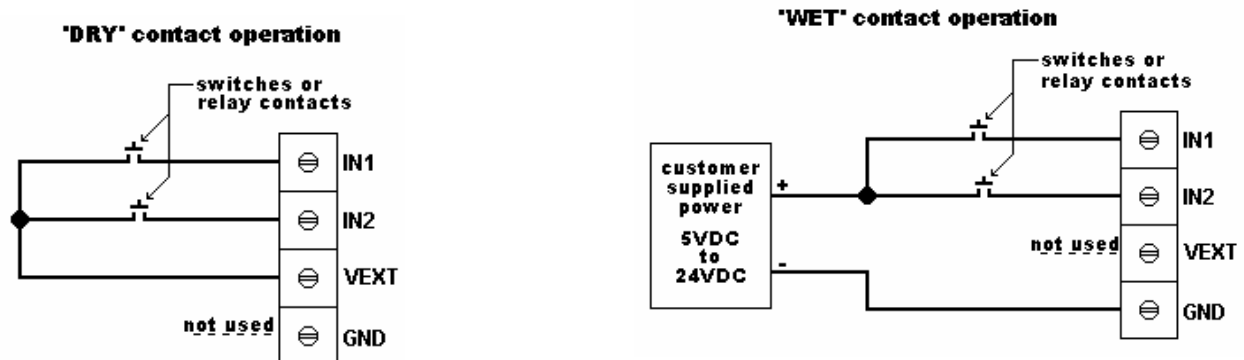
The Direction switch reverses the counter's current direction. When plugged in, the timer's default direction is up (increment).

When counting down, the counter stops at 0000. When counting up, the counter stops at 9999 without rolling over.

As shipped, the Direction and Preset switches are installed and wired to the internal terminal strip using the dry connections. Direction is input 2 and Preset is input 3 (not shown).

Count (input 1) requires a user-supplied momentary-action switch. The counter increments / decrements each time this switch is closed, then opened.

The switches can be powered by the Vext supplied by the unit (dry contact), or external DC of 5 to 24 volts (wet contact), as shown below.

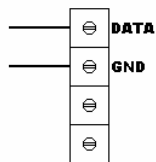


Data Displays

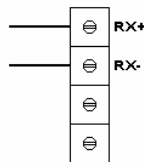
models 111 & 117 data displays

The *111* and *117* are multi-digit data displays. They are identical, except for the interface. The *111* has an RS-232 interface, the *117* an RS-422/485, as shown below. The data input connects to the Sig+ and Sig- inputs.

RS-232 Data Input



RS-422 / 485 Data Input



RS-232 transmission should be at 1200 baud, 8 data bits, 1 stop bit, no parity. We do not recommend paralleling multiple *111* units, as the RS-232 standard is not designed for such operation.

A multi-drop daisy-chain RS-422/485 interface permits up to 30 *117* displays to be controlled by a single device (terminal or computer). The maximum length of the cabling (which must be suitable for an RS-422/485 connection) is 1000'.

When the unit is plugged in, the display cycles through all the digits in each position (0000, 1111, 2222, and so on), to confirm the LEDs are working.

It then cycles through a sequence that shows the address (**Axx**), the baud rate (**bx**), the display length (**Uxx**), and the display protocol (**-n**). The sequence is repeated indefinitely until a data stream appears at the input (RS-232 or RS-422/485).

The data stream comprises a start character, an address, the data, and a stop character. *There are no spaces in the data stream*, unless they are part of the data.

- The *start character* is CTRL+B. (Press and hold the CTRL key, then press B.)
- The *address* is the address of the unit that is to display. It is two ASCII digits. The leading zero is required for addresses between 00 and 09. When the address is 00, *every* unit displays the data.
- The *data* are as many ASCII digits as required to fill the display, plus a decimal point (if needed). If there's a minus sign (-) for negative values, the number of digits that can be displayed is reduced by one. A space can replace any of the digits.
- The *stop character* is CTRL+C. (Press and hold the CTRL key, then press C.)

To display the values -3.14 and 2.78, separated by two spaces, on a ten-digit display with an address of 15, you would transmit the following sequence of fifteen ASCII

characters, either from a terminal or a computer program.

CTRL+B 15 - 3 . 1 4 SPACE SPACE 2 . 7 8 CTRL+C

The data is displayed on all units having the given address (15 in this example). 00 is the *broadcast* address — the data is displayed on *all* units, regardless of their settings.

The default baud rate is 1200. The default address is 01. When more than one display is purchased at the same time, their addresses are set in sequence, starting from 01.

To change the baud rate or address, remove the plastic plug on the back of the display and set the DIP switch as shown in the following tables. Changes do not take effect until the unit is turned off, then on again.

BAUD RATE	POWER-UP DISPLAY	switch 7	switch 8
1200	b3	OFF	OFF
2400	b4	ON	OFF
4800	b5	OFF	ON
9600	b6	ON	ON

DIP switches 1 through 6 can be set for a total of 64 addresses, 1 through 64. If you think of switch 1 as the least-significant bit (LSB), and switch 6 as the most-significant bit (MSB), simply set the binary value of the address, as shown in the table examples.

IMPORTANT Setting the switches to 000000 (all OFF) sets the address to 64, *not* 00.

ADDRESS	switch 6	switch 5	switch 4	switch 3	switch 2	switch 1
01	OFF	OFF	OFF	OFF	OFF	ON
02	OFF	OFF	OFF	OFF	ON	OFF
03	OFF	OFF	OFF	OFF	ON	ON
04	OFF	OFF	OFF	ON	OFF	OFF
05	OFF	OFF	OFF	ON	OFF	ON
...
60	ON	ON	ON	ON	OFF	OFF

61	ON	ON	ON	ON	OFF	ON
62	ON	ON	ON	ON	ON	OFF
63	ON	ON	ON	ON	ON	ON
64	OFF	OFF	OFF	OFF	OFF	OFF

There is a second “function” DIP switch that controls the display protocol.

switch 1	switch 2	switch 3	POWER-UP DISPLAY	PROTOCOL
OFF	OFF	OFF	– 0	non-addressable; LZB off
ON	OFF	OFF	– 1	non-addressable; LZB on
OFF	ON	OFF	– 2	2-digit addressable flexible; LZB off
ON	ON	OFF	– 3	2-digit addressable flexible; LZB on
OFF	OFF	ON	– 4	2-digit addressable decimal locator; LZB off
ON	OFF	ON	– 5	2-digit addressable decimal locator; LZB on

- *Non-addressable* means the data is displayed, whether or not the address in the data stream matches the switch setting. *Addressable* means the data is displayed only if the address in the data stream matches the switch setting, or is 00.
- When *LZB* is on, leading zeros are blanked (displayed as spaces).
- *Flexible* means the displayed value can include a decimal point, a minus sign, and spaces.
- *Decimal locator* means that the decimal point is not included in the data. Its position is indicated by the last digit in the number, which is not displayed. For example, if the last digit is 3, the decimal point is positioned to the right of the third digit.

Switches 4 and 5 are reserved for future use and should be left in the off position.

Switches 6, 7, and 8 specify the length of the display.

switch 6	switch 7	switch 8	POWER-UP DISPLAY	DISPLAY SIZE
OFF	OFF	OFF	U02	1 or 2 digits
ON	OFF	OFF	U04	3 or 4 digits
OFF	ON	OFF	U06	5 or 6 digits
ON	ON	OFF	U08	7 or 8 digits
OFF	OFF	ON	U10	9 or 10 digits
ON	OFF	ON	U12	11 or 12 digits
OFF	ON	ON	U14	13 or 14 digits
ON	ON	ON	U16	15 or 16 digits

PROTOCOL FOR REMOTE KEYPAD (NUMERIC DISPLAYS)



The sequence of keys to enter values on the top four lines of the scoreboard is as follows:

1. Press the key marked with an A(upper right hand corner 'A').
2. Press the two numeric keys representing the desired address of the display
3. Press the one to four numeric keys that represent the value to be displayed
4. Press the key labeled 'D' (lower right hand corner)

Examples:

To display '1234' on the display addressed as '01', the key sequence is as follows:

'A' "01" "1234" 'D'

To display '987' on the display addressed as '01', the key sequence is as follows:

'A' "01" "987" 'D'

BAUD RATE @ 1200BPS ; NO PARITY ; 8 DATA BITS ; 1 STOP BIT

PROTOCOL FOR REMOTE KEYPAD – NO ADDRESSING



The sequence of keys to enter values on the top four lines of the scoreboard is as follows:

1. Press the key marked with an A (upper right hand corner - 'A').
2. Press the one to four numeric keys that represent the value to be displayed
3. Press the key labeled 'D' (lower right hand corner)

Examples:

To display '1234' on the display, the key sequence is as follows:

'A' "1234" 'D'

To display '987' on the display, the key sequence is as follows:

'A' "987" 'D'

Questions?? Visit www.electronicdisplays.com

E-mail: edisupport@electronicdisplays.com

model 105 analog-to-digital converter with display

The 105 models convert an analog input (either voltage or current) into a four-digit display, linearly proportional to the input.

The 105 is factory-configured to read current or voltage, over a specified range listed in the table below. When the input is less than or equal to the lower input value, the display reads 0000. When the input is equal to or greater than the upper input value, the display reads 2000.

CURRENT INPUT	CODE	VOLTAGE INPUT	CODE
0 – 1 mA DC	C1	0 – 1 V DC	V1
0 – 10 mA DC	C2	0 – 2 V DC	V2
0 – 100 mA DC	C3	0 – 5 V DC	V3
1 – 5 mA DC	C4	0 – 10 V DC	V4
4 – 20 mA DC	C5	0 – 100 V DC	V5
10 – 50 mA DC	C6	0 – 200 V DC	V6
-1 – +1 mA DC	C7	0 – 500 mV DC	V7
-10 – +10 mA DC	C8	1 – 5 V DC	V8

The last three sections of the model number indicate the input type and range, and the factory calibration. For example, an **ED400-105-4D-N1-C5-0-2000** has a current-sensing input (**C5**). At 4mA, the display reads **0000**. At 20mA, the display reads **2000**.

Calibration

The display can easily be recalibrated. You need an adjustable current or voltage source, plus a computer, terminal, or keypad with an RS-232 serial output. (Most computer operating systems include a terminal program, such as *HyperTerminal*.)

The input connects to Sig+ and Sig– on the terminal block..

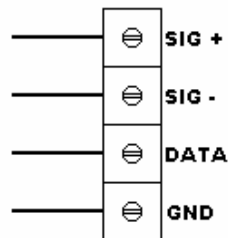
Data input is through the third terminal on the block, or pin 3 on the optional DB-25. Ground is through the fourth terminal or pin 7 on the DB-25. On a PC-type computer, the data connection is to pin 3 (DB-15 COM port) or pin 2 (DB-25 COM port). The

grounds are pins 5 and 7, respectively. Please refer to the manual for your keyboard or manual for its serial pinouts. No other connections are required.

Transmission should be at 1200 baud, 8 data bits, 1 stop bit, no parity.

No special settings or preparation are required. Simply hook the computer or terminal to the display with the appropriate RS-232 cable.

Analog-to-Digital Converter Input



The basic calibration procedure is to apply the minimum or maximum input to the display, then tell it (through the serial input) what value you want displayed.

To calibrate for the minimum display...

1. Apply the minimum input to the display. (If this is zero volts or milliamps, you can simply short the input.)
2. On the keyboard or terminal, press CTRL+B.
3. Press 0 (zero).
4. Press the four digits you want displayed for the minimum input, such as 0010.
If you want a negative display, prefix the digits with a dash (-). If you have the floating-point option, add a decimal point (.) at the desired position.
5. Press CTRL+C.

To calibrate for the maximum display...

1. Apply the maximum input to the display.
2. On the keyboard or terminal, press CTRL+B.
3. Press 7 (seven).
4. Press the four digits you want displayed for the maximum input, such as 2999.
If you want a negative display, prefix the digits with a dash (-). If you have the floating-point option, add a decimal point (.) at the desired position.
5. Press CTRL+C.

You can change either setting without having to change the other. If you make a mistake, simply start over again with CTRL+B.

Baud Rate		switch 7		switch 8		
1200		OFF		OFF		
2400		ON		OFF		
4800		OFF		ON		
9600		ON		ON		

ADDRESS	switch 1	switch 2	switch 3	switch 4	switch 5	switch 6
64	OFF	OFF	OFF	OFF	OFF	OFF
01	ON	OFF	OFF	OFF	OFF	OFF
02	OFF	ON	OFF	OFF	OFF	OFF
03	ON	ON	OFF	OFF	OFF	OFF
14	OFF	ON	ON	ON	OFF	OFF
15	ON	ON	ON	ON	OFF	OFF
16	OFF	OFF	OFF	OFF	ON	OFF
17	ON	OFF	OFF	OFF	ON	OFF
62	OFF	ON	ON	ON	ON	ON
62	ON	ON	ON	ON	ON	ON